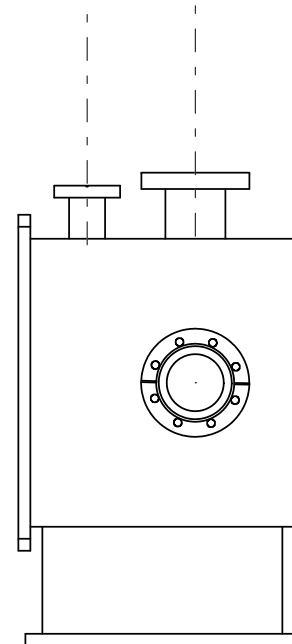
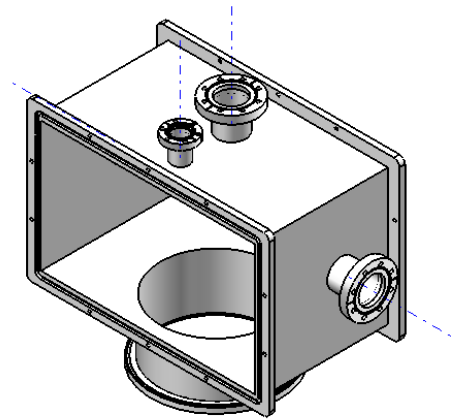
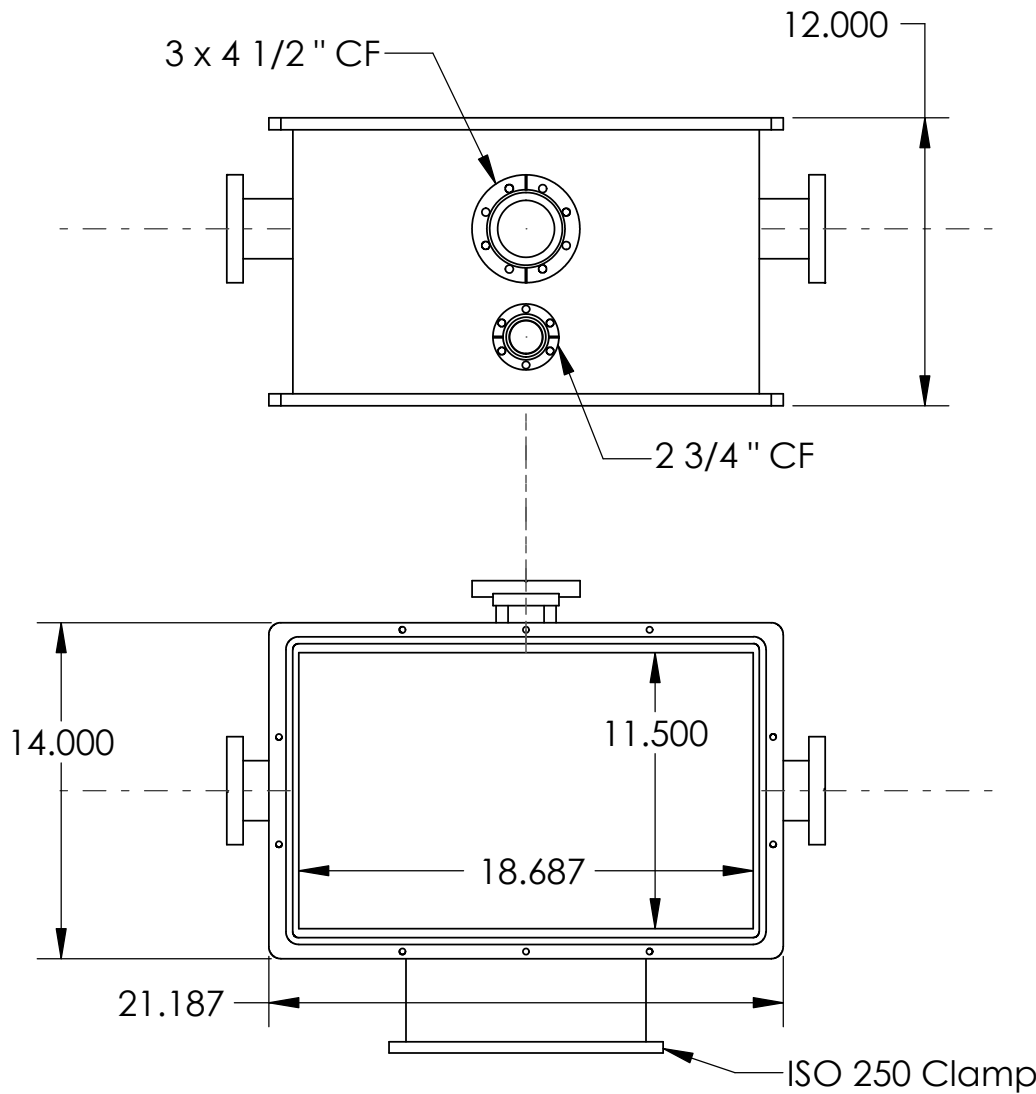


		REVISIONS			
ZONE	REV.	DESCRIPTION	DATE	APPROVED	



PROPRIETARY AND CONFIDENTIAL
 THIS DOCUMENT CONTAINS PROPRIETARY INFORMATION AND IS NOT TO BE COPIED, ALTERED OR USED IN WHOLE OR IN PART WITHOUT THE EXPRESS WRITTEN CONSENT OF TORROVAP IND. INC. THIS DOCUMENT REMAINS THE PROPERTY OF TORROVAP IND. INC.

		DIMENSIONS ARE IN INCHES TOLERANCES: FRACTIONAL: ± 1/64" (.015") ANGULAR: ± 0.5° .X ± .015" .XX ± .010" XXX ± .005" MATERIAL 304 S.S.	NAME	DATE
			DRAWN	K. S. MOLNAR
			CHECKED	
			ENG APPR.	
			MFG APPR.	
			Q.A.	
			COMMENTS:	
NEXT ASSY	USED ON	FINISH 32 MICRON		
APPLICATION		DO NOT SCALE DRAWING		

TORROVAP IND. INC.

**Custom Chamber
 11.50" x 18 11/16" x 12"**

SIZE A	DWG. NO. SP-021201-001	REV. 0
SCALE: 1:8	WEIGHT:	SHEET 1 OF 1